



KF04004 73-79 Ford F100-350 Cab Mount Kit

www.DaystarWeb.com
Tech Support Contact Info
Tech@DaystarWeb.com
Phone: 623.907.0081
Fax: 623.907.0088
841 South 71st Avenue
Phoenix, AZ 85043

Bill Of Material		
Part No.	Description	Qty.
M02187	Bushing	2
M02365	Bushing	2
M02366	Bushing	2
M02367	Bushing	2
M02368	Bushing	2
M02369	Bushing	2
S10125	Washer	2

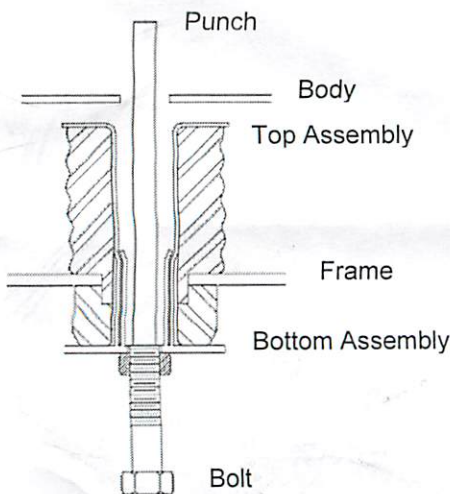
Mounting Order From Front to Rear	
Above Frame	Below Frame
Front M02367	M02366
Center M02368	M02187
Rear M02369	M02365

INSTRUCTIONS: Please read completely before beginning installation.

- Note all body mount positions and respective parts (mount size, type, washers, spacers, bolts, shims etc.) before and during disassembly. You may have to reuse certain factory hardware pieces that are not included in this kit.
- If mounting bolts and nuts are rusted, liberally spray with penetrating oil.
- Support vehicle body properly before removing mounts. Use a 2x4 about 2' long (or any other suitable size) between jack and body panel to spread the weight load out so as not to damage the body. If needed, support the body in several areas.
- Loosen all bolts and nuts but do not remove.
- Working on one side of vehicle at a time, remove mounting bolt and nut and raise body only high enough to replace mount, never higher. Also check other areas on body and frame to avoid any interference problems when raising body. See Fig. 1.
- Replace mounts one at a time. After all mounts have been replaced torque bolts to factory specifications.
- After driving vehicle for about 500 miles, re-torque bolts again. This is to insure that the bolts have not loosened due to initial settling that may take place.

Some Fords use a unique one piece stamped washer and sleeve assembly. This type of assembly can sometimes be difficult to remove, especially on older vehicles. Use Fig. 2 and the instructions below to facilitate disassembly.

- Remove body mount bolt from inside of cab.
- Thread the bolts back in from below into bottom washer/sleeve assembly until bolt is flush with inside of washer. This is to protect the threads during removal.
- Insert a 10" long x 1/2" or equivalent punch into body mount from inside cab. Drive bottom washer/sleeve assembly downward away from top assembly with a hammer.
- The lip on the bottom stamped washer/sleeve assembly may become mushroomed, especially on older vehicles. Before reinstalling this part, remove mushroomed lip to avoid any interference fit problems.



WARNING

This vehicle has been modified to enhance its performance. The steering, braking and handling of this vehicle will differ from standard passenger cars and trucks. This vehicle handles differently from an ordinary vehicle in driving conditions which may occur on streets, highways and off road.

Avoid unnecessary abrupt maneuvers, sudden stops, sharp turns and other driving conditions that could cause loss of control, possibly leading to a roll over or other accident that could result in serious injury or death to driver and passengers.

If larger tires are installed the speedometer will read lower than the vehicles actual speed.

**DRIVE WITH CARE, REDUCE SPEED
AND WEAR SEAT BELTS AT ALL TIMES.**

This kit should be installed by a professional mechanic.

