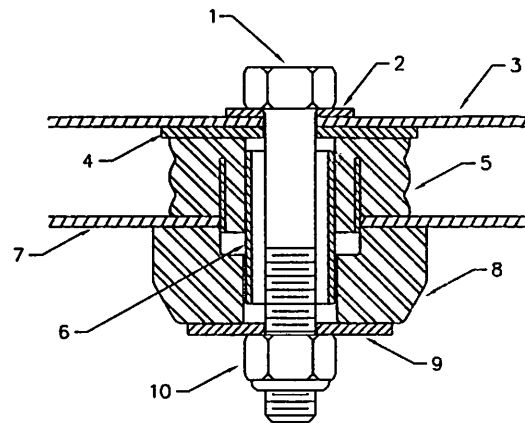


INSTRUCTIONS FOR 66-77 BRONCO BODY MOUNT KIT AND HARDWARE KIT
(NOS. 1, 2, 4, 6, 9, AND 10 APPLY TO HARDWARE KIT ONLY)

1. FIRST AND SECOND MOUNTING POINTS FROM FRONT OF VEHICLE USE 3" LONG BOLTS (FOUR INCLUDED). THE THIRD MOUNTING POINT USES 4" LONG BOLTS (TWO INCLUDED). THE REAR MOUNTING POINTS USE 5" BOLTS (TWO INCLUDED).
2. 1-1/4" O.D. WASHERS (EIGHT INCLUDED) GO UNDER THE HEAD OF EACH BOLT.
3. BODY SHEET METAL.
4. 2-1/2" O.D. WASHERS (EIGHT INCLUDED) GO ON TOP OF UPPER BODY MOUNT UNDER BODY PANEL.
5. UPPER BODY MOUNT - PART NO. M02291.

6. 1-1/2" LONG SLEEVE (EIGHT INCLUDED).
7. FRAME RAILS
8. LOWER BODY MOUNT - PART NO. M02292.
9. 2" O.D. WASHERS (EIGHT INCLUDED).
10. 7/16-14 NYLON LOCK NUT (EIGHT INCLUDED).

NOTE: BODY MOUNT KIT MAY BE USED WITH ORIGINAL HARDWARE. IF, HOWEVER, THERE IS EXCESSIVE CORROSION OR HEAVY DUTY USE IS ANTICIPATED, THE HARDWARE KIT IS RECOMMENDED.



INSTRUCTION SHEET P10077
REV 01