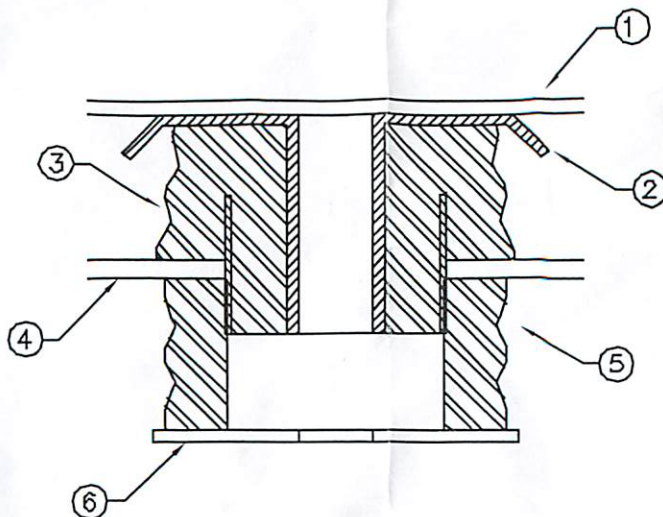
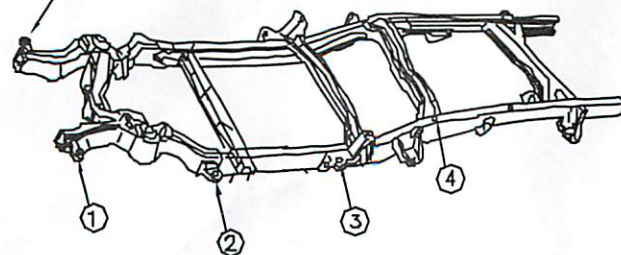


BODY MOUNT INSTRUCTIONS FOR '81-'87 CHEVY 2WD/4WD PICK UP (C10-C20/K10-K20)

1. SPRAY ALL NUTS WITH PENETRATING LUBRICANT.
2. ON DISASSEMBLY, NOTE QUANTITY AND POSITION OF ANY SHIMS THAT MAY HAVE BEEN INSERTED FOR BODY ALIGNMENT. THESE SHIMS WILL HAVE TO BE REUSED TO INSURE BODY ALIGNMENT.
3. ONLY RAISE BODY HIGH ENOUGH TO REMOVE & REPLACE MOUNTS. ALWAYS WATCH THE FAN SHROUD FOR SUFFICIENT CLEARANCE WHEN USE A LONG 2X4 OR 4X4 FOR SUPPORT. NEVER RAISING THE BODY, WHEN JACKING THE BODY PUT JACK DIRECTLY ON BODY PANELS.
4. INSTALL MOUNTS ON ONE SIDE WITH MOUNTS ON OPPOSITE SIDE LOOSENED.
5. RETORQUE TO FACTORY SPECIFICATIONS.



REMOVE GRILL & HEADLIGHT DOORS FOR ACCESS TO POSITION #1 BODY MOUNT BOLT



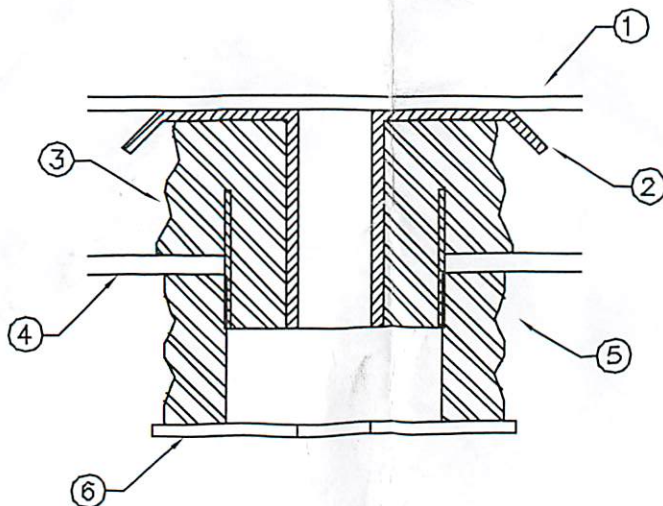
POSITIONS #1-2-3-4

1. BODY
2. FACTORY SLEEVE
3. MO2338
4. FRAME
5. MO2339
6. FACTORY WASHER

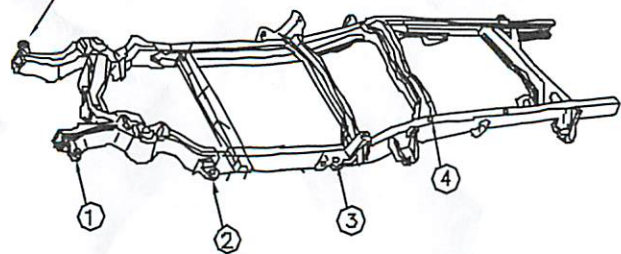
INSTRUCTION SHEET P10311
REV. 00

BODY MOUNT INSTRUCTIONS FOR '81-'87 CHEVY 2WD/4WD PICK UP (C10-C20/K10-K20)

1. SPRAY ALL NUTS WITH PENETRATING LUBRICANT.
2. ON DISASSEMBLY, NOTE QUANTITY AND POSITION OF ANY SHIMS THAT MAY HAVE BEEN INSERTED FOR BODY ALIGNMENT. THESE SHIMS WILL HAVE TO BE REUSED TO INSURE BODY ALIGNMENT.
3. ONLY RAISE BODY HIGH ENOUGH TO REMOVE & REPLACE MOUNTS. ALWAYS WATCH THE FAN SHROUD FOR SUFFICIENT CLEARANCE WHEN USE A LONG 2X4 OR 4X4 FOR SUPPORT. NEVER RAISING THE BODY, WHEN JACKING THE BODY PUT JACK DIRECTLY ON BODY PANELS.
4. INSTALL MOUNTS ON ONE SIDE WITH MOUNTS ON OPPOSITE SIDE LOOSENED.
5. RETORQUE TO FACTORY SPECIFICATIONS.



REMOVE GRILL & HEADLIGHT DOORS FOR ACCESS TO POSITION #1 BODY MOUNT BOLT



POSITIONS #1-2-3-4

1. BODY
2. FACTORY SLEEVE
3. MO2338
4. FRAME
5. MO2339
6. FACTORY WASHER

INSTRUCTION SHEET P10311
REV. 00