



## KT09121 2005 Toyota Tacoma 2" Rear Spacer Lift Kit

[www.DaystarWeb.com](http://www.DaystarWeb.com)  
 Tech Support Contact Info  
[Tech@DaystarWeb.com](mailto:Tech@DaystarWeb.com)  
 Phone: 623.907.0081  
 Fax: 623.907.0088  
 841 South 71<sup>st</sup> Avenue  
 Phoenix, AZ 85043

Bill of Materials		
Part No.	Description	Qty.
S10958	U-BOLT 9/16-18 8.175L X 2.500W	4
S10959	NUT, HIGH HEX, 9/16-18	8
S10963	WASHER, 0.594 X 1.188 X 0.150	8
S10967	LIFT BLOCK 1.500X2.500X4.970	2
P11054	INSTRUCTION SHEET	1

Tools required	
Description:	Qty.
Standard Hand Tools	1
Wrench Set & Socket Set	1
Floor Jacks / Jack Stands	2

### INSTALLATION INSTRUCTIONS

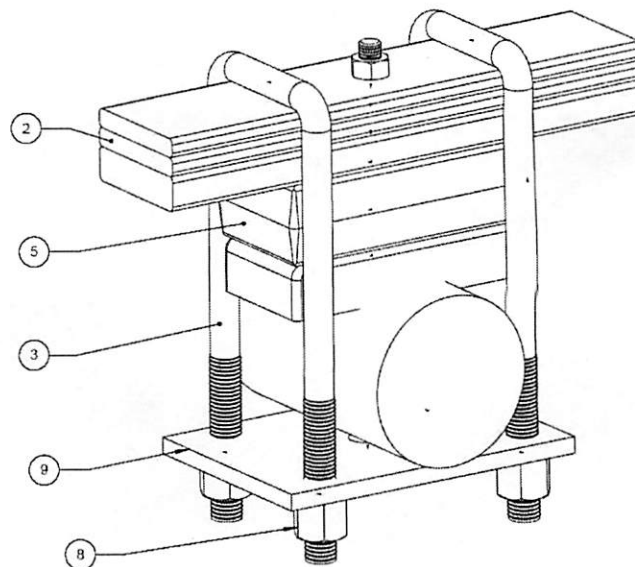
1. Read instructions completely, verify bill of materials and determine if you have the correct tools before beginning installation.
2. Raise the vehicle by placing the jack on the rear frame cross member so that the rear tires are off the ground.
3. Support the rear of the vehicle by placing jack stands on the frame.
4. Remove the rear wheels.
5. Place two floor jacks under the rear axle for support.
6. Remove old U-bolts and nuts and lower the entire axle enough to fit the lifting block into position.
7. **IMPORTANT! Note that the block is tapered. Position the block on the axle pad so that the thick end of the block is toward the rear of the vehicle.**
8. Install the new U-bolts, washers and high hex nuts. (Torque to 95ft-Lbs)
9. Install the rear wheels. Torque the lug nuts to factory specifications.
10. RETORQUE ALL BOLTS AFTER 500 MILES.

### WARNING

This vehicle has been modified to enhance its performance. The steering, braking and handling of this vehicle will differ from standard passenger cars and trucks; This vehicle handles differently from an ordinary vehicle in driving conditions which may occur on streets, highways and off road. Avoid unnecessary abrupt maneuvers, sudden stops, sharp turns and other driving conditions that could cause loss of control, possibly leading to a roll over or other accident that could result in serious injury or death to driver and passengers. If larger tires are installed the speedometer will read lower than the vehicles actual speed. **DRIVE WITH CARE, REDUCE SPEED AND WEAR SEAT BELTS AT ALL TIMES.**

*This kit should be installed by a professional mechanic*

3 - REAR	
2	OE SPRING
3	U-BOLT 9/16-18
5	LIFT BLOCK (thick end toward the rear of vehicle!)
8	NUT, 3/8-24, HEX
9	NUT, HIGH HEX



Instruction Sheet P11054-00

© 2005 Daystar Products International Inc.

